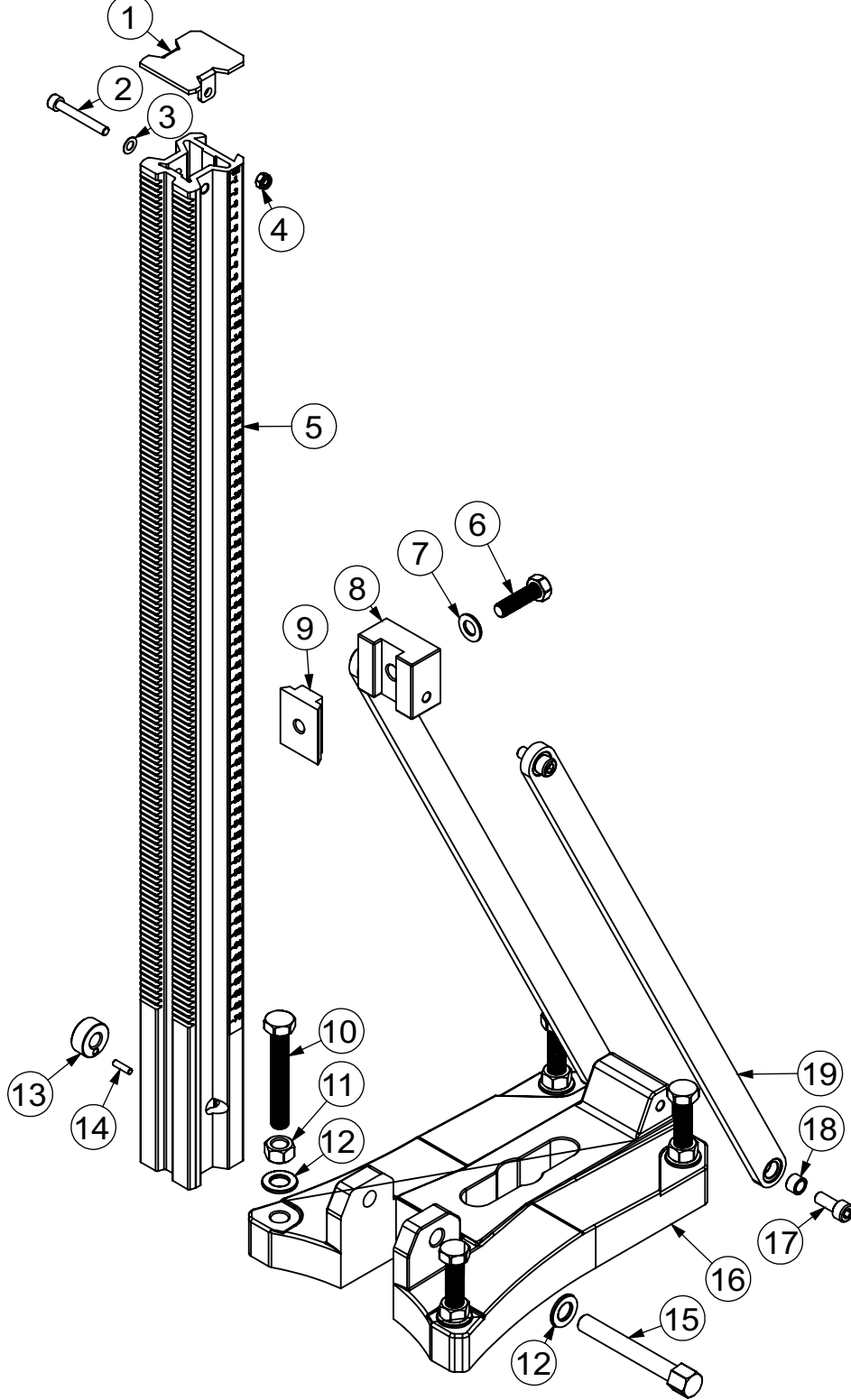




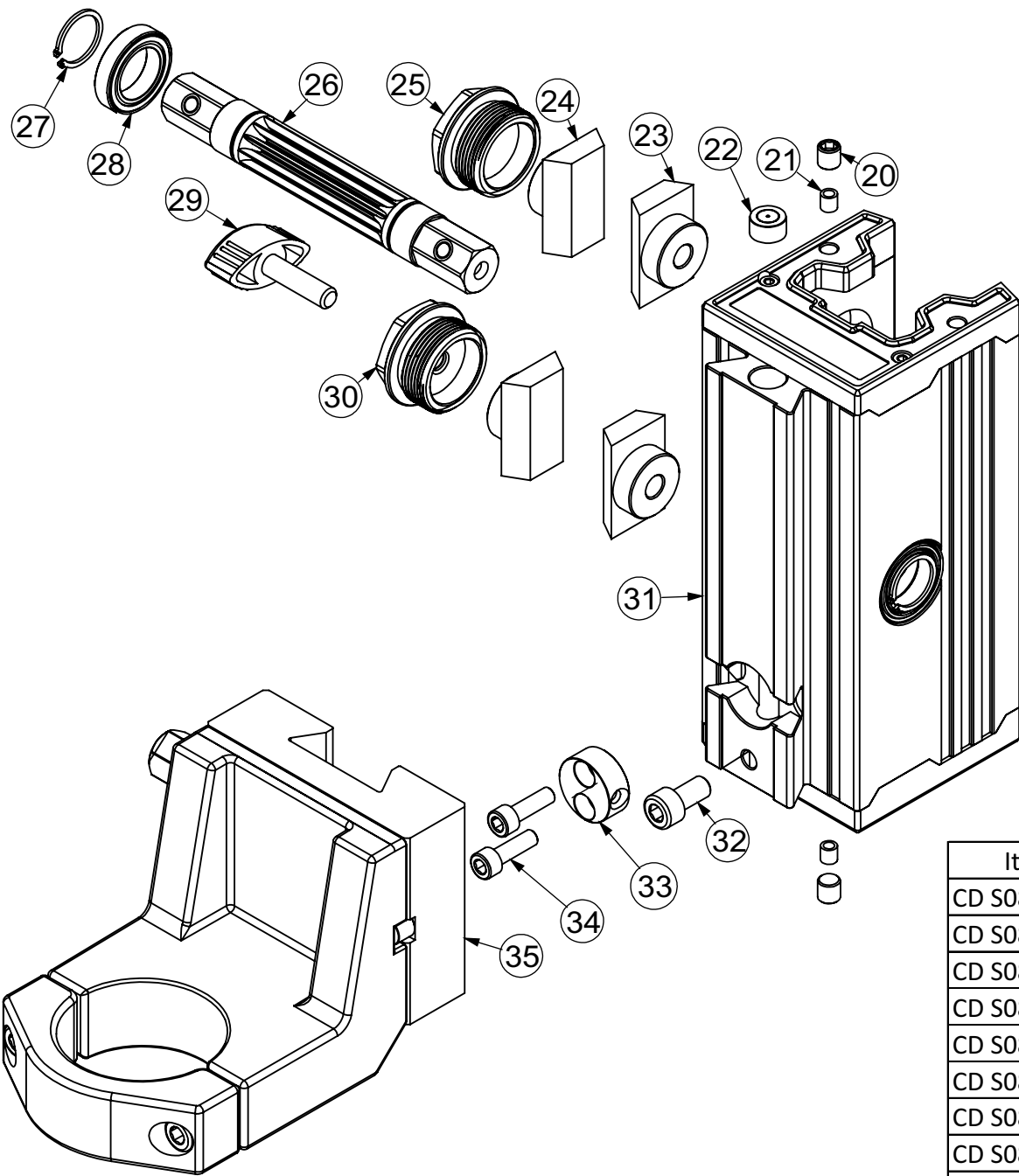
Breakdown

# CD Stand08





Item	part	qty
CD S08-1	colomn cover	1
CD S08-2	hex-socket bolt	1
CD S08-3	washer	1
CD S08-4	self-lock nut	1
CD S08-5	column	1
CD S08-6	hex bolt	1
CD S08-7	washer	1
CD S08-8	suppoert bar adapter	1
CD S08-9	slider	1
CD S08-10	hex bolt	4
CD S08-11	washer	5
CD S08-12	nut	4
CD S08-13	roud nut	1
CD S08-14	pin	1
CD S08-15	column fixing bolt	1
CD S08-16	basplate	1
CD S08-17	hex-socket bolt	4
CD S08-18	bearing	4
CD S08-19	support bar	2



Item	part	qty
CD S08-20	socket set screw	2
CD S08-21	plastic pin	2
CD S08-22	level	1
CD S08-23	slider 10mm	2
CD S08-24	slider 9mm	2
CD S08-25	adjust al-screw	1
CD S08-26	spindle	1
CD S08-27	circlip	2
CD S08-28	bearing	2
CD S08-29	brake screw	1
CD S08-30	adjust al-screw	1
CD S08-31	carriage	1
CD S08-32	hex-socket bolt	1
CD S08-33	round fixing	1
CD S08-34	hex-socket bolt	2
CD S08-35	motor plate	1